



# Industrial Thermometers

## Solar Industrial Thermometer

### Solar Powered Industrial Thermometer

#### Type TI.D01

## Thermometers

### Application

Specifically designed for HVAC, plumbing, and refrigeration applications. Designed as an alternative to the old mercury-in-glass industrial thermometer. It does not use mercury and may be used in applications requiring fast, accurate, and easy-to-read temperature indications.

### Accuracy

1% of reading or 1°, whichever is greater

### Range

-50/300°F (-45/150°C)

### Resolution

1/10° between -19.9/199.9°F (-28/93°C)

### Lux Rating

10 Lux (one foot candle)

### Standard Features

#### Update

10 seconds

#### Ambient Operating Temperature

-30/140°F (-35/60°C)

#### Humidity

100% maximum

#### Ambient Temperature Error

None

#### Case

High-impact ABS

#### Display

3/8" LCD Digits, wide ambient temperature range

#### Sensor

Glass passivated thermistor

#### Stem

Material: Aluminum

Length: 3 1/2" and 6"

Available with and without brass thermowell

#### Stem Assemblies

Fully interchangeable with industrial glass thermometers

#### Warranty

Limited one year warranty as stated in WIKA's Terms & Conditions of Sale

#### Order Options

Air duct flange

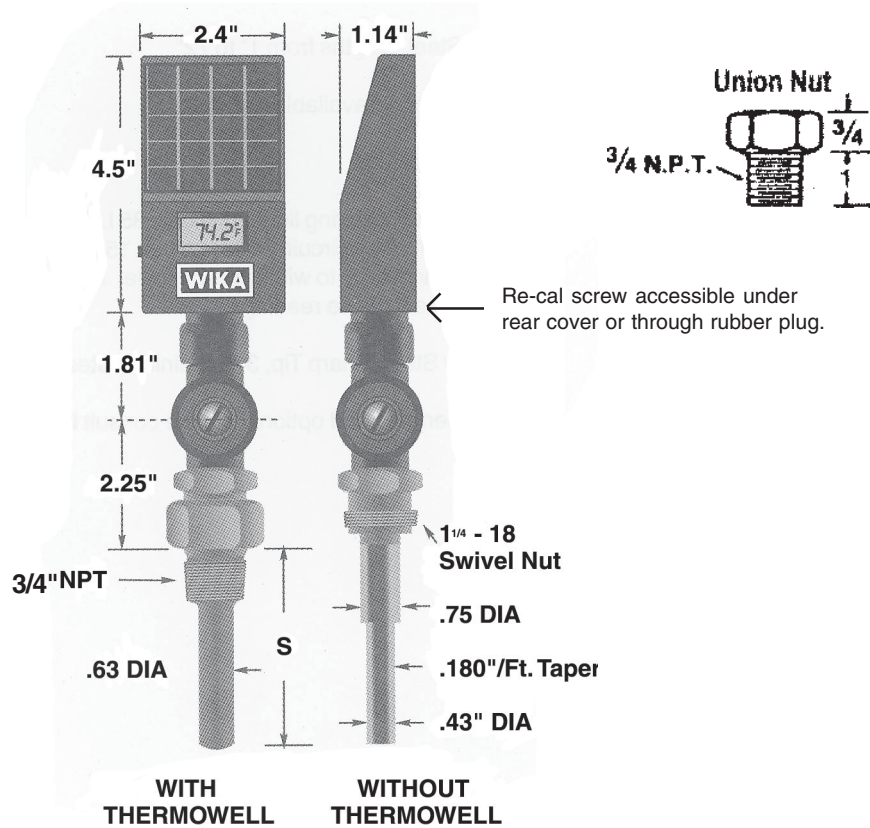
Clear plastic protective cover



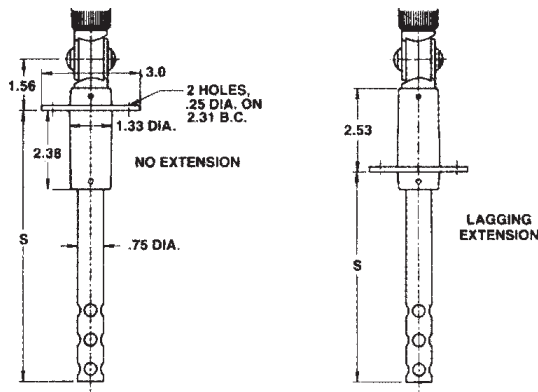
With Thermowell	Without Thermowell	With Airduct Flange	Stem	S Dim.
D010301	D010300	D010304	3 1/2"	3 1/2"
D010601	D010600	D010604	6"	6"

Dimensions:

Solar Powered Industrial Thermometer



Optional Air Duct Flange



Ordering Information:

State computer part number (if available) / type number / size / range / connection size and location / options required.

Specifications given in this price list represent the state of engineering at the time of printing. Modifications may take place and the specified materials may change without prior notice



WIKAI Instrument Corporation

1000 Wiegand Boulevard

Lawrenceville, Georgia 30043-5868

Tel: 770-513-8200 Fax: 770-338-5118

http://www.wika.com e-mail: info@wika.com